

## INTRODUCTION

BLU BaRS™ offer an innovative and affordable option to convert any linear fluorescent/LED tube fixture to wireless control. This includes but is not limited to troffers, wraps, strips, vaportights, architectural. Installation is a fast and simple process. After install, simply download the SMART BLU™ App and program your lights. A wide range of accessories is available to support controls for other parts of the facility. Applications include schools, offices, parking garages, community centers, etc... A perfect choice for architects, engineers, contractors and end users.

## PERFORMANCE

BLU BaRS™ with BLU DRiVe™ offer 4FT-17W and 2FT-15W; 150+ Lumens/Watt; 2550/2350 lumens; 2700K-6500K; CRI > 80; THD < 10%; PF > 99. Projected life beyond 100,000 hours, are offered with a standard 5-year warranty based on performance under normal conditions. (consult warranty for details).

Visit [www.blu-ecosystem.com](http://www.blu-ecosystem.com) for more information.

**SIMPLE. AFFORDABLE. EFFECTIVE.**

## CONSTRUCTION

Blue anodized extruded aluminum provides a strong and light weight structure for all components to reside as well as conducting heat away from LEDs. The LED module is affixed within an extruded channel via aluminum rivet that is shared by permanent magnet bottom. An extruded PMMA diffuse UV resistant lens is retained within extruded grooves for the full length of the lens. Robust blue polycarbonate end caps enclose the ends and provide IP54 ingress protection. An opening in the end cap allows for low voltage plug receptacle. End caps share rivet with permanent magnets. Extrusions have a plurality of openings along the sides for the addition of fasteners. Magnets allow for easy placement and positioning prior to fastening.

## FLEXIBLE ELECTRICAL STANDARD FEATURES

BLU BaRS™ are classified as a low voltage product and provided with low voltage plug cords for simple and easy connection to BLU DRiVe™.



## MOUNTING

BLU BaRS™ are offered with three permanent magnets for easy placement on steel platforms. They are made to fit within standard T12/T8 dimensions without the requirement to remove existing socketry. Each BLU BaR has multiple holes along the perimeter of the extrusion to allow for fasteners. Two self drilling screws are provided per BLU BaR™.

NOTE: Safety chain by others is recommended for applications that may subject the fixture to possible impact.

## COMPLIANCE

The BLU BaRS™ are suitable for damp locations and -40°C to +60°C ambient environments (note that use within closed fixtures will create warmer ambient temperatures). RoHS compliant. LED modules comply with IESNA LM-79 and LM-80 standards. DLC Listed. CSA certified as a retrofit system including BLU DRiVe™.

NOTE: Specifications subject to change without notice.



## NOMENCLATURE

FAMILY SERIES	SIZE	WATTS	COLOR (K)	SHIELDING
BB=BLU BaRS™	4FT	17W	(2700-6500)	LW-LENS WIDE
	2FT	15W		O-OPEN

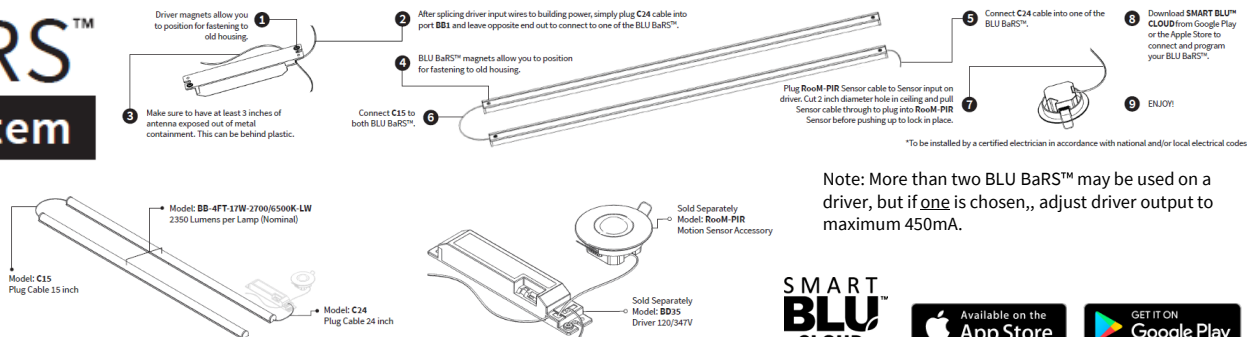
EXAMPLE: BB-4FT-17W-(2700-6500)-LW-BP24

## BLU BaRS™ Dimensions

NOMINAL SIZE	SHIELDING	DIMENSIONS	LUMENS
4FT	LW	44.75" x 1.50" x 1.06"	2550
2FT	LW	21.25" x 1.50" x 1.06"	2350

## BLUBaRS™ Retrofit System

- Kit includes:
- 24x BB-4FT-17W-2700-6500K-LW
  - 12x C15
  - 12x C24
  - 48x Self Drilling Screw



Contact your local supplier or representative or call J2 Light Inc. direct at:

1.888.LOW.WATT (569.9288) [www.blu-ecosystem.com](http://www.blu-ecosystem.com)

**SIMPLE. AFFORDABLE. EFFECTIVE**

J2 Light® Version 230110