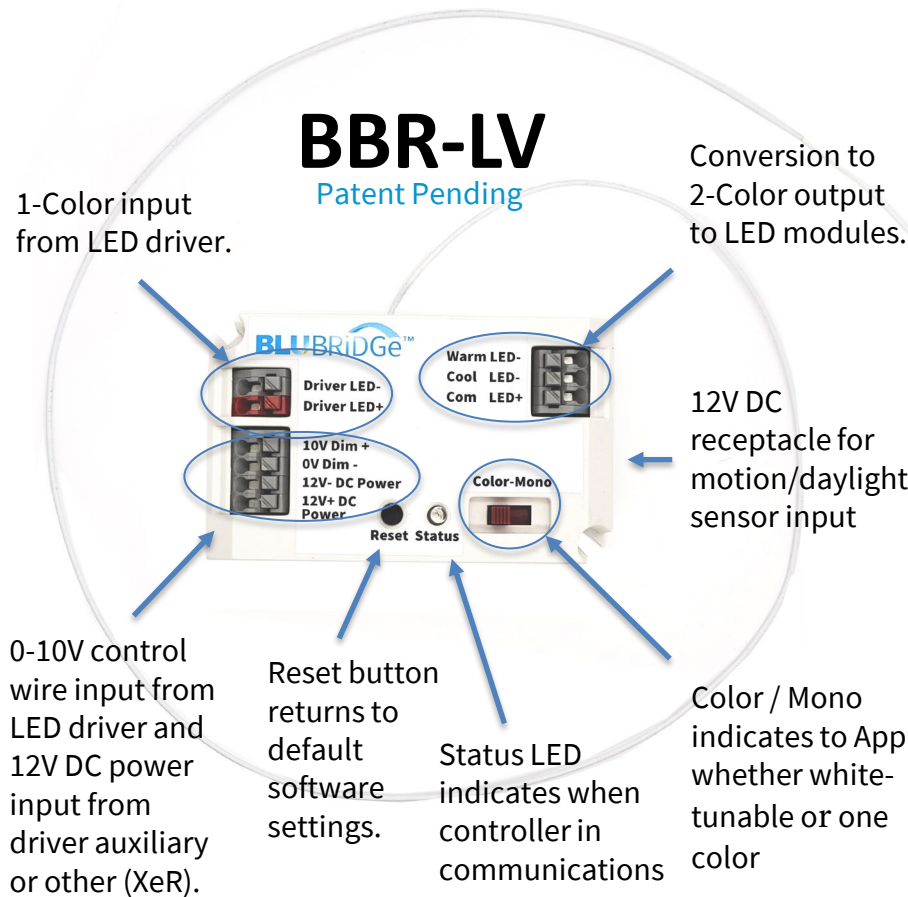


## BBR-LV Low Voltage Controller

LED drivers with 0-10V dim-to-off circuit  
Lights supplied pre-2021

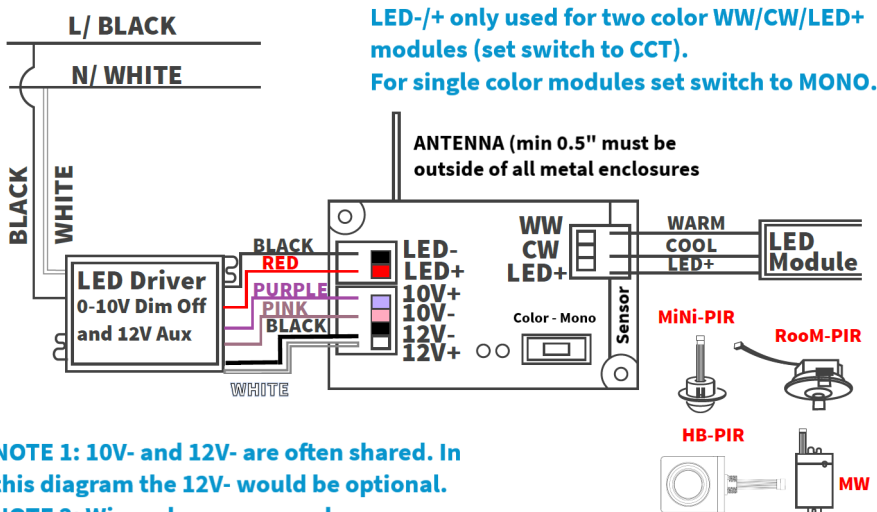


### DESCRIPTION

The BLU BRIDGE™ BBR-LV low voltage controller is a wireless control device that can be used with newer dim-to-off style LED drivers. It features a sturdy polycarbonate housing with magnetic backing for easy placement within wiring channels. Convenient poke-thru receptacles can accommodate 16-20AWG wires. The left side of the controller features inputs received from LED driver. For drivers without 12V auxiliary output an XeR™ transformer will be required. The BBR-LV can convert standard single-color LED input to two-color LED output for white-tunable control. If conversion is not required, then the Driver LED inputs are not used. A 2 FT wireless antenna is provided. At least 0.5 inch should remain outside of metal enclosures. A 12V DC receptacle is offered for motion/daylight sensor plug-in.

A Reset button is offered to return the BBR-LV to default software settings. The LED Status indicator light will turn on when the BBR-LV is receiving and sending wireless information. The Color-Mono switch is provided to inform the SMART BLU™ CLOUD App that the light controlled is either white-tunable or mono-colored

SPECIFICATIONS	
Injection Moulded Housing	Polycarbonate
Fire Rating	UL94 V0
Safety Rating	UL/CUL VDE
Input Power	12V DC
Max Output Power in Mono Mode	Unlimited
Max Output Power in Color Mode	50V DC 2.2A
Max Wire Length to Furthest Driver	> 100 FT
0-10V Circuit Maximum Current	50 mA
Wireless Antenna Length	2 FT
Poke-thru Connector Wire Gauge	16-20 AWG
Dimensions	3" L x 1.8" W x 0.875" D
Warranty	5 Years



**NOTE 1:** 10V- and 12V- are often shared. In this diagram the 12V- would be optional.

**NOTE 2:** Wire colors may vary by source.

Visit [www.blu-ecosystem.com](http://www.blu-ecosystem.com) for more information.

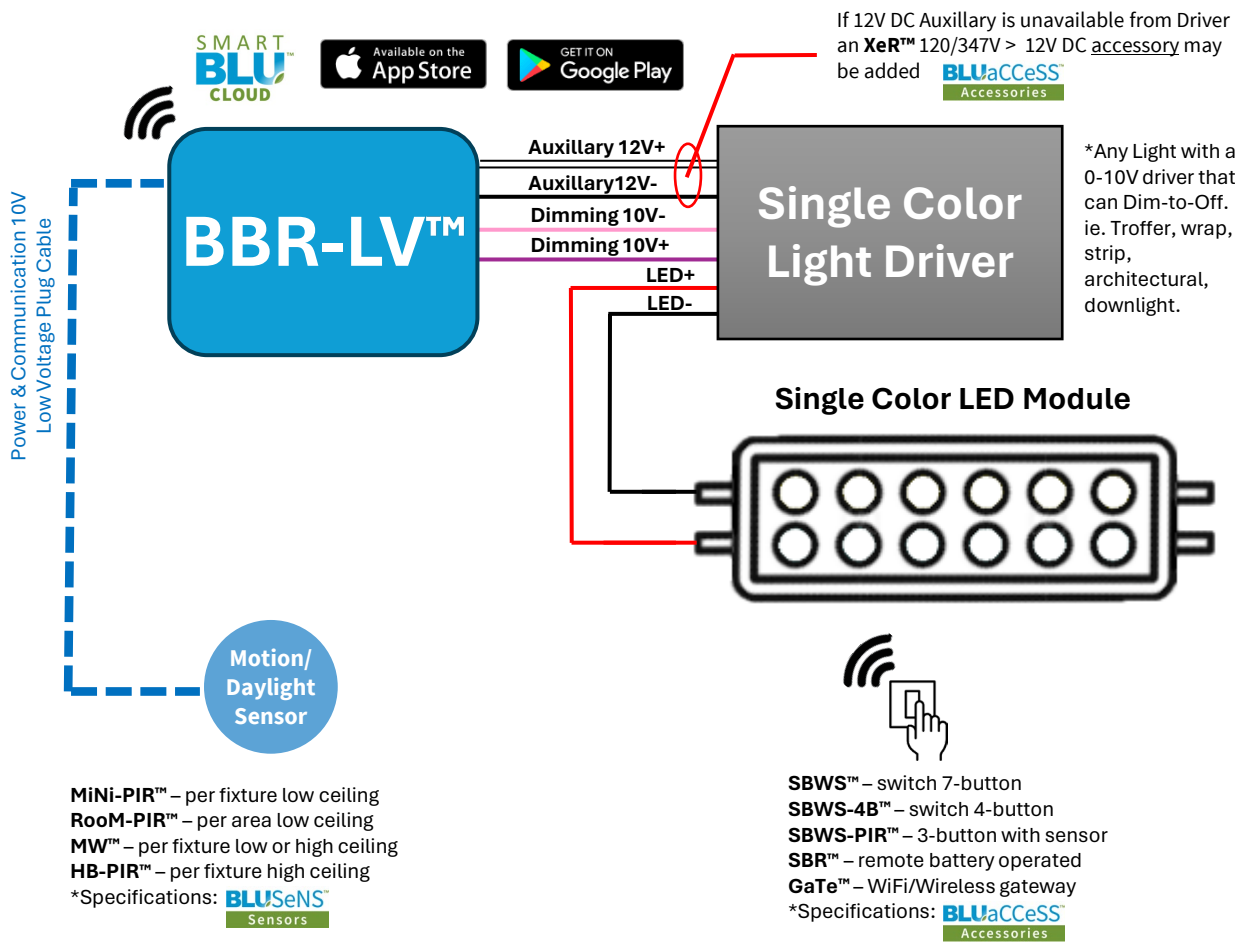
**SIMPLE. AFFORDABLE. EFFECTIVE.**



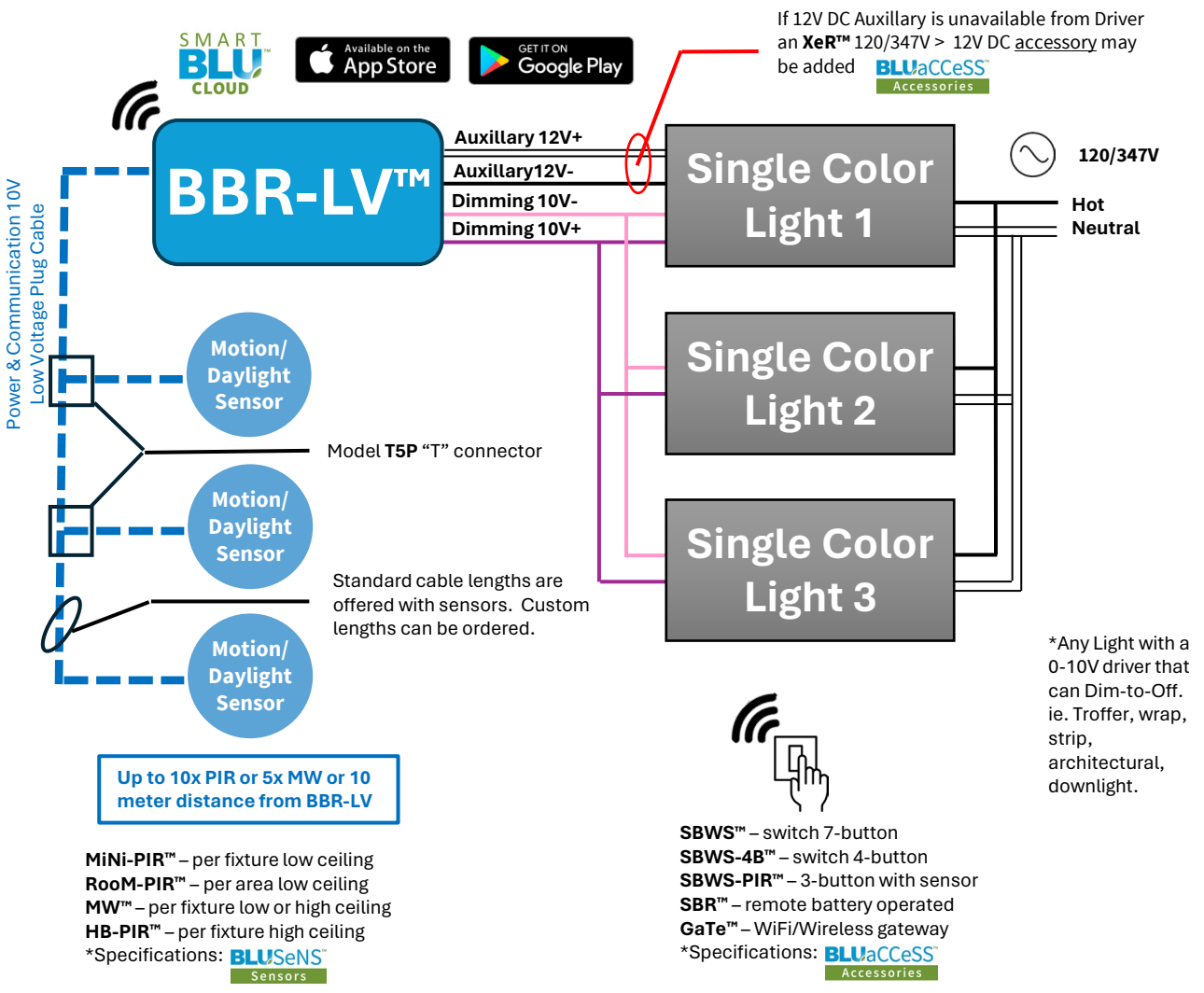
## Typical Wiring Schematics for 0-10V Dim-to-Off Low Voltage Controller

Patent Pending

### 1. BBR-LV for single color control with single color driver.



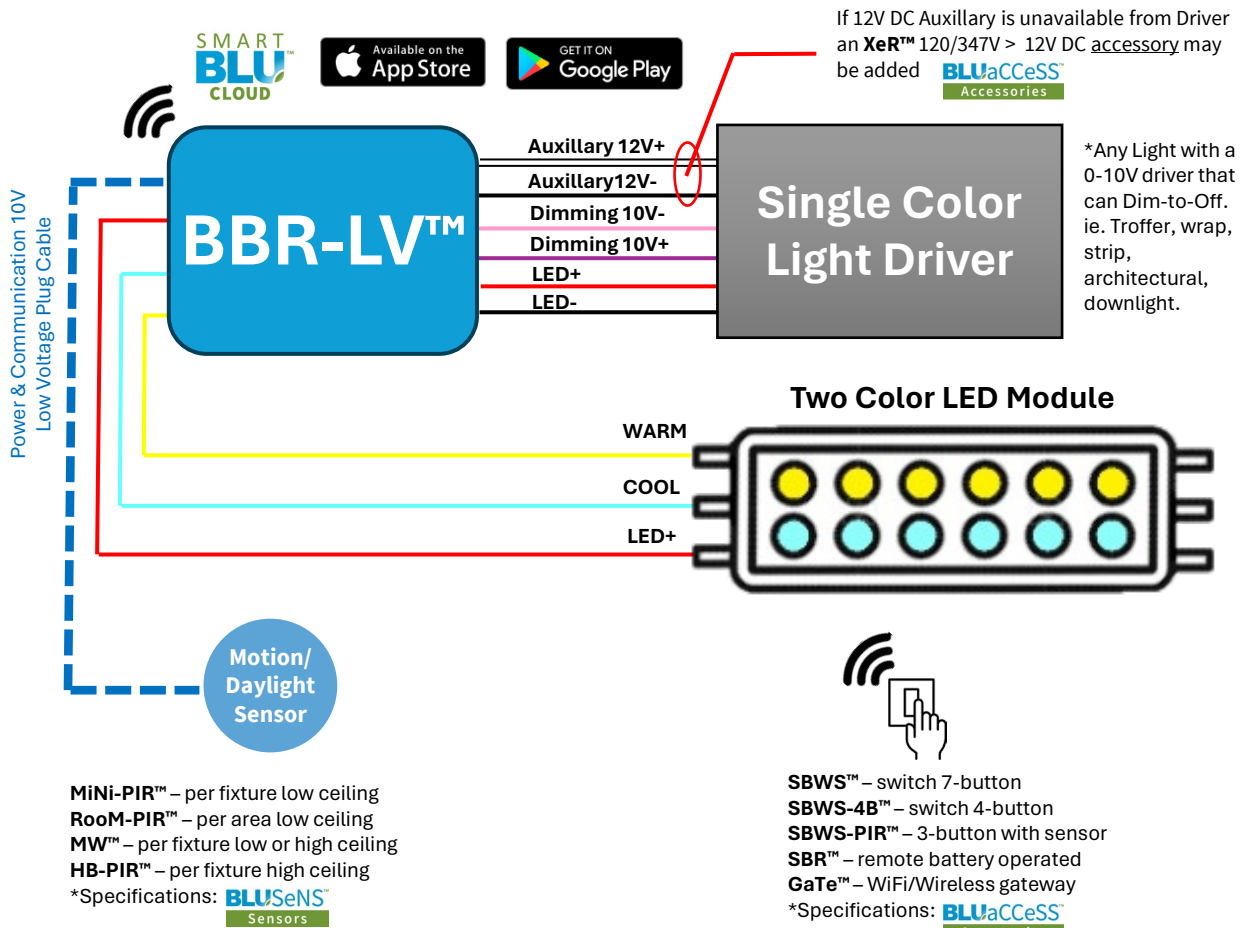
### 2. BBR-LV for single color control for multiple single color lights.



## Typical Wiring Schematics for 0-10V Dim-to-Off Low Voltage Controller

Patent Pending

### 3. BBR-LV for white-tuning control with single color driver.



### 4. BBR-LV for white-tuning control with two color driver.

