

BBR-LV Low Voltage Controller

LED drivers with 0-10V dim-to-off circuit
Lights supplied pre-2021

BBR-LV

Patent Pending

1-Color input from LED driver.

Conversion to 2-Color output to LED modules.

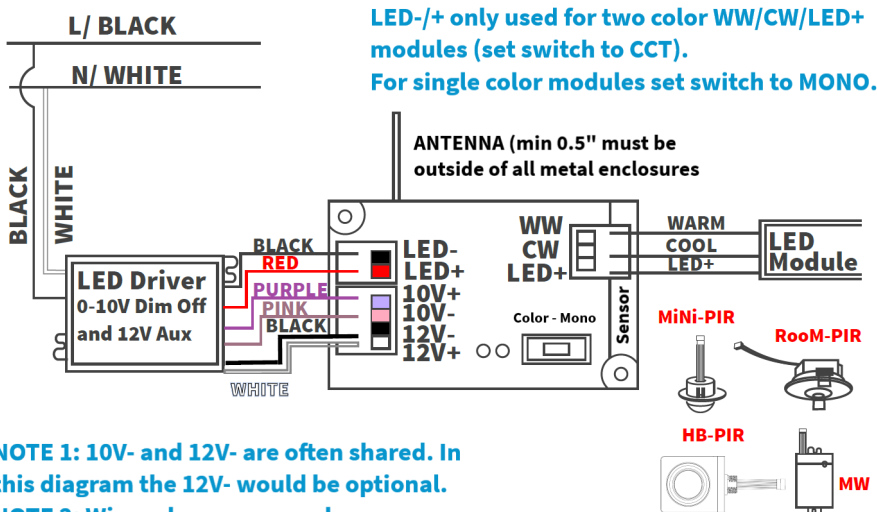
12V DC receptacle for motion/daylight sensor input

0-10V control wire input from LED driver and 12V DC power input from driver auxiliary or other (XeR).

Reset button returns to default software settings.

Status LED indicates when controller in communications

Color / Mono indicates to App whether white-tunable or one color



NOTE 1: 10V- and 12V- are often shared. In this diagram the 12V- would be optional.
NOTE 2: Wire colors may vary by source.

DESCRIPTION

The BLU BRIDGE™ BBR-LV low voltage controller is a wireless control device that can be used with newer dim-to-off style LED drivers. It features a sturdy polycarbonate housing with magnetic backing for easy placement within wiring channels. Convenient poke-thru receptacles can accommodate 16-20AWG wires. The left side of the controller features inputs received from LED driver. For drivers without 12V auxiliary output an XeR™ transformer will be required. The BBR-LV can convert standard single-color LED input to two-color LED output for white-tunable control. If conversion is not required, then the Driver LED inputs are not used. A 2 FT wireless antenna is provided. At least 0.5 inch should remain outside of metal enclosures. A 12V DC receptacle is offered for motion/daylight sensor plug-in.

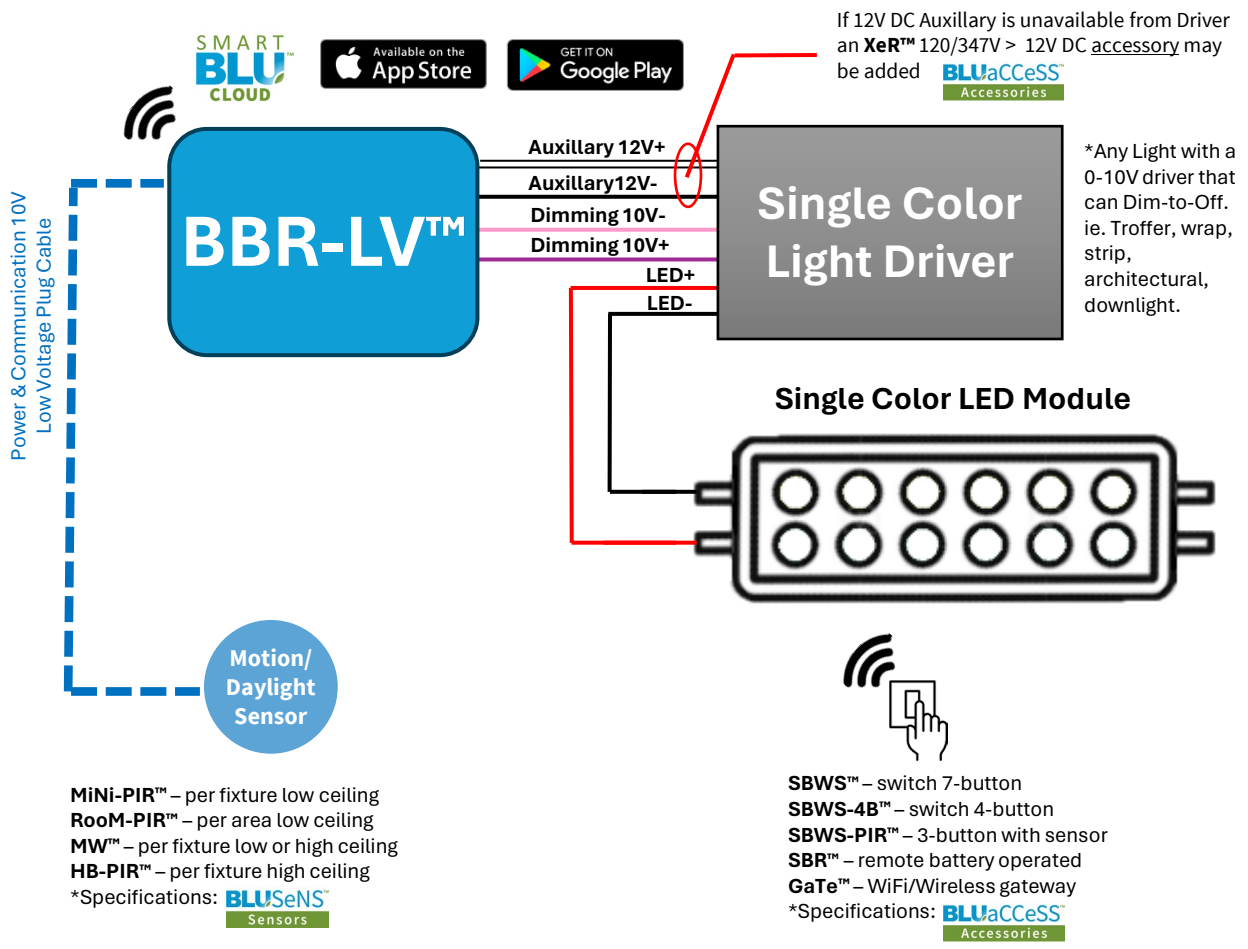
A Reset button is offered to return the BBR-LV to default software settings. The LED Status indicator light will turn on when the BBR-LV is receiving and sending wireless information. The Color-Mono switch is provided to inform the SMART BLU™ CLOUD App that the light controlled is either white-tunable or mono-colored

SPECIFICATIONS	
Injection Moulded Housing	Polycarbonate
Fire Rating	UL94 V0
Safety Rating	UL/CUL VDE
Input Power	12V DC
Max Output Power in Mono Mode	Unlimited
Max Output Power in Color Mode	50V DC 2.2A
Max Wire Length to Furthest Driver	> 100 FT
0-10V Circuit Maximum Current	50 mA
Wireless Antenna Length	2 FT
Poke-thru Connector Wire Gauge	16-20 AWG
Dimensions	3" L x 1.8" W x 0.875" D
Warranty	5 Years

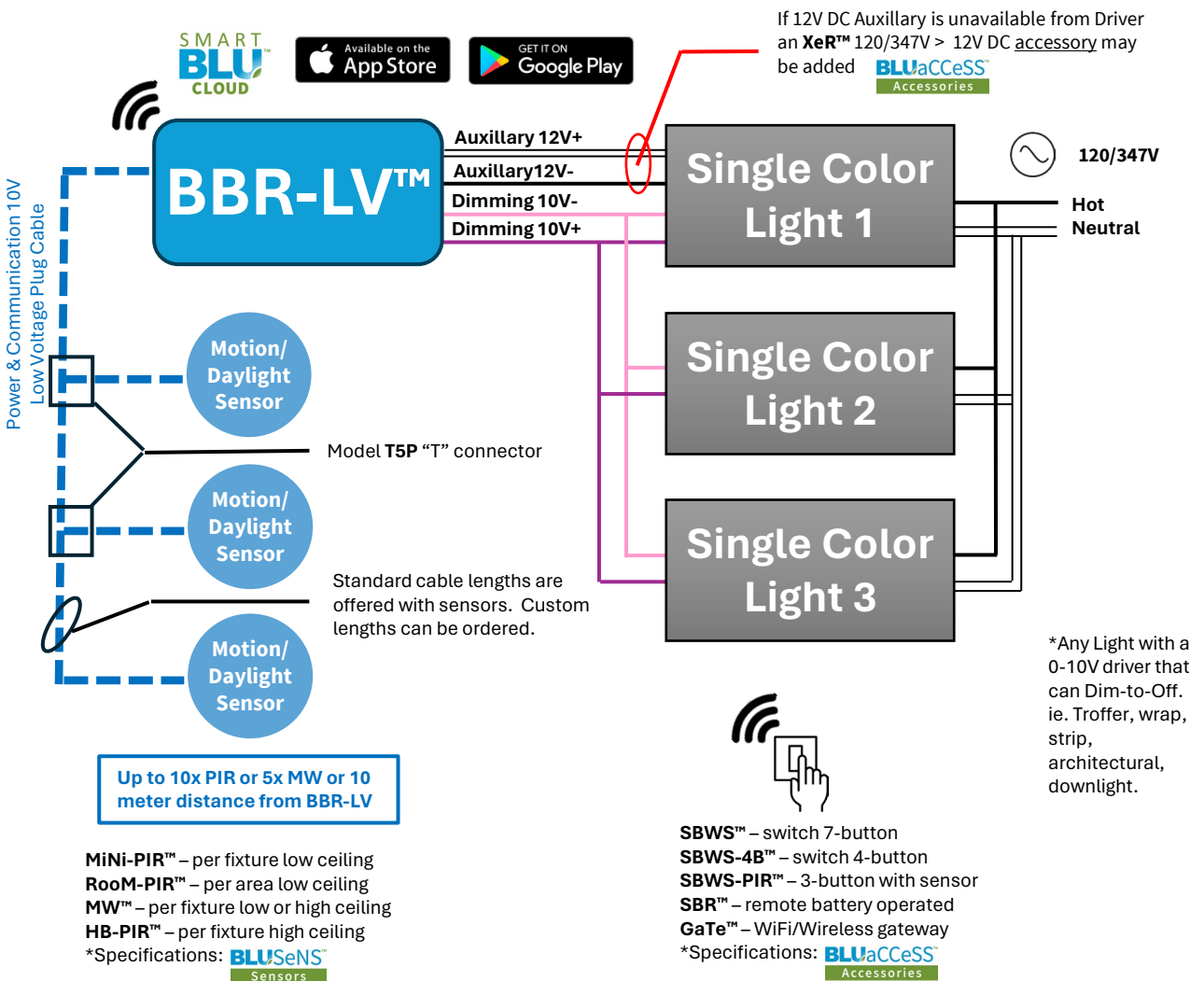
Typical Wiring Schematics for 0-10V Dim-to-Off Low Voltage Controller

Patent Pending

1. BBR-LV for single color control with single color driver.



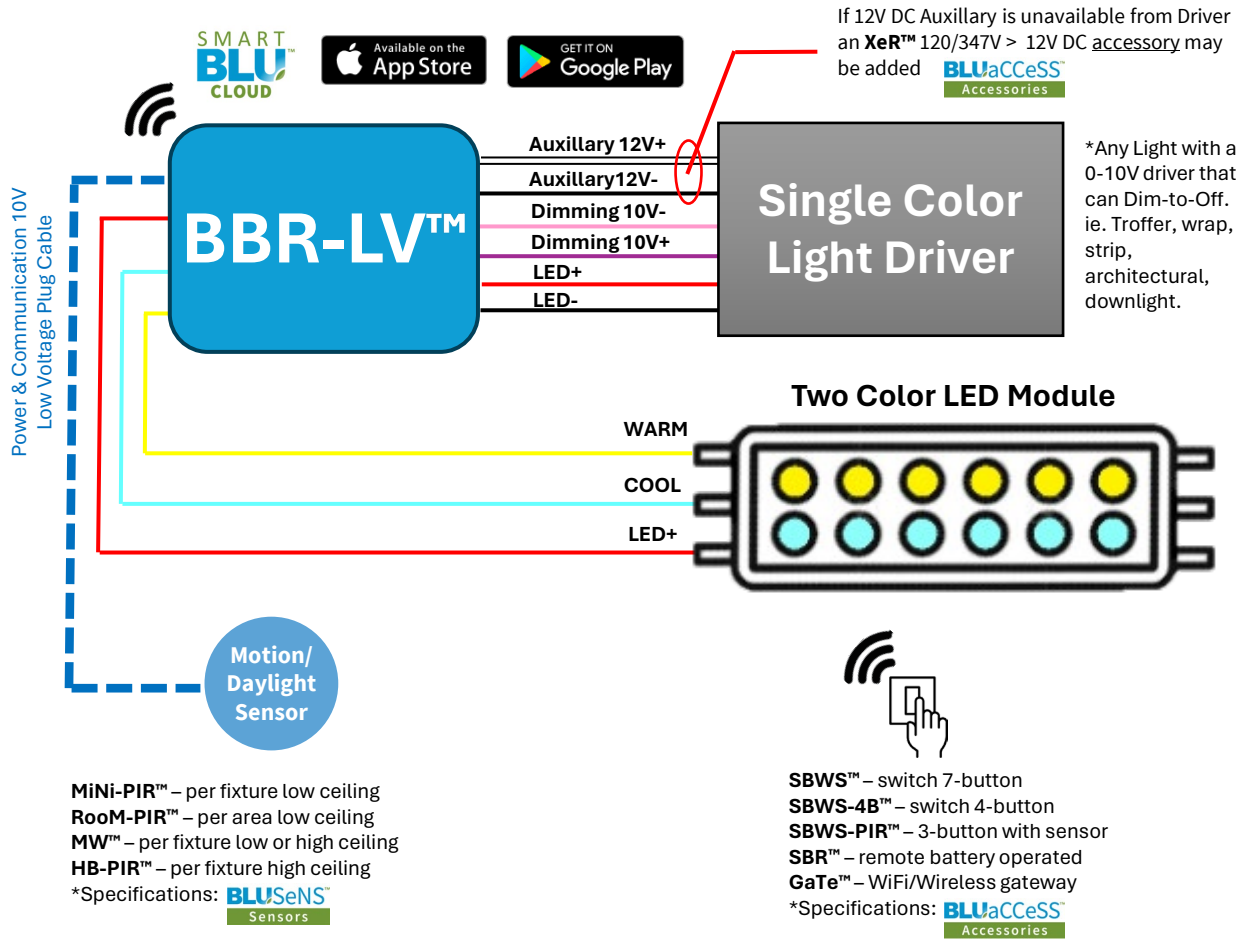
2. BBR-LV for single color control for multiple single color lights.



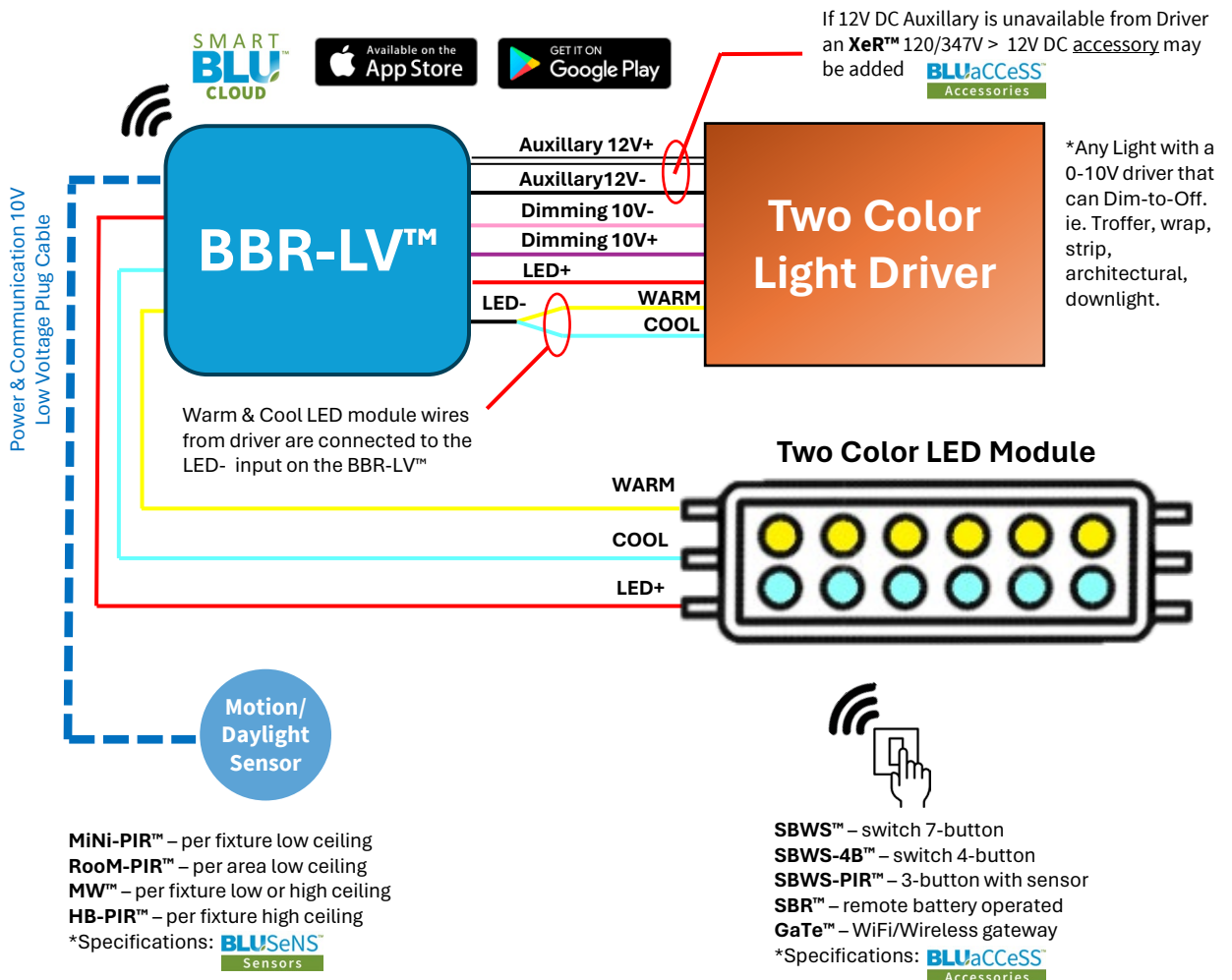
Typical Wiring Schematics for 0-10V Dim-to-Off Low Voltage Controller

Patent Pending

3. BBR-LV for white-tuning control with single color driver.



4. BBR-LV for white-tuning control with two color driver.



INTRODUCTION

The XeR™ is a 120/347VAC to 12V DC mini autotransformer. It is rated to 4.8W maximum input and 3.0W maximum output. This accessory is required when 12V DC auxillary power is not available from LED drivers. The XeR™ can be used in combination with the RTC™ Real Time Clock or the BBR-LV BLU BRiDGe™ Low Voltage controller. This product is cULus safety listed.



Visit www.blu-ecosystem.com for more information.

SIMPLE. AFFORDABLE. EFFECTIVE.

