

## INTRODUCTION

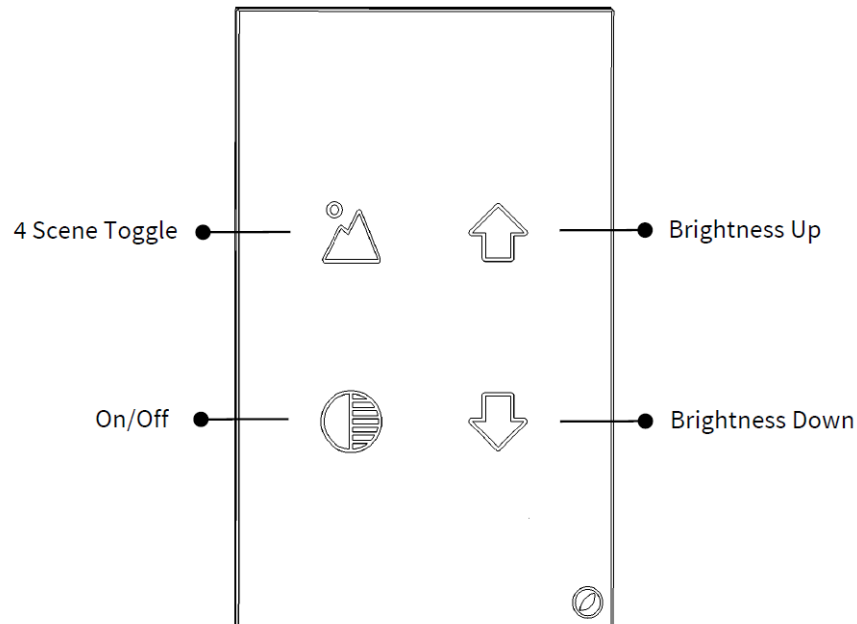
SBWS-4B™ is a feature rich and affordable wireless wall switch. It provides users a simple and intuitive interface to access the full potential of the BLU Ecosystem. Users can turn on to full bright or full off, dim up and down, choose from 4 scene presets or return to default automation settings. After install, simply download the SMART BLU™ CLOUD App to associate BLU Ecosystem™ lights to the switch. Applications include classrooms, offices, hallways, washrooms, etc... A perfect choice for architects, engineers, contractors and end users.

## CONSTRUCTION

Light weight and robust injection moulded white polyester housing and tempered glass cover plate. Includes electrical box and cover plate screws.

## FLEXIBLE ELECTRICAL STANDARD FEATURES

SBWS-4B™ may be universally used with voltages between 120 to 347V. Note that hot and neutral wiring is required. Input power < 0.5W. Working temperature -10C to 45C. Humidity <90% RH.



*To reset, touch and hold “Scenes” and “Dim Up” buttons simultaneous for 5 seconds. Blue LED indicator will blink off and on slowly when SBWS™ is fully reset.*

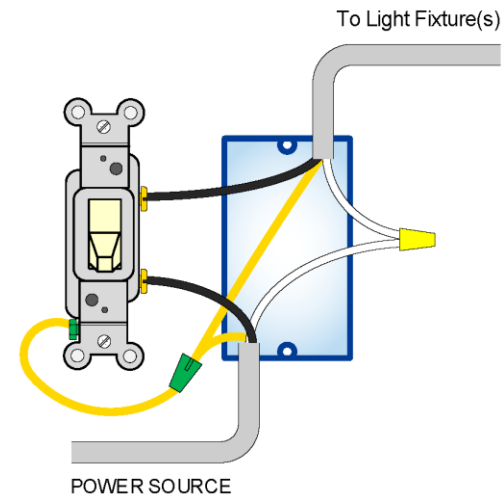
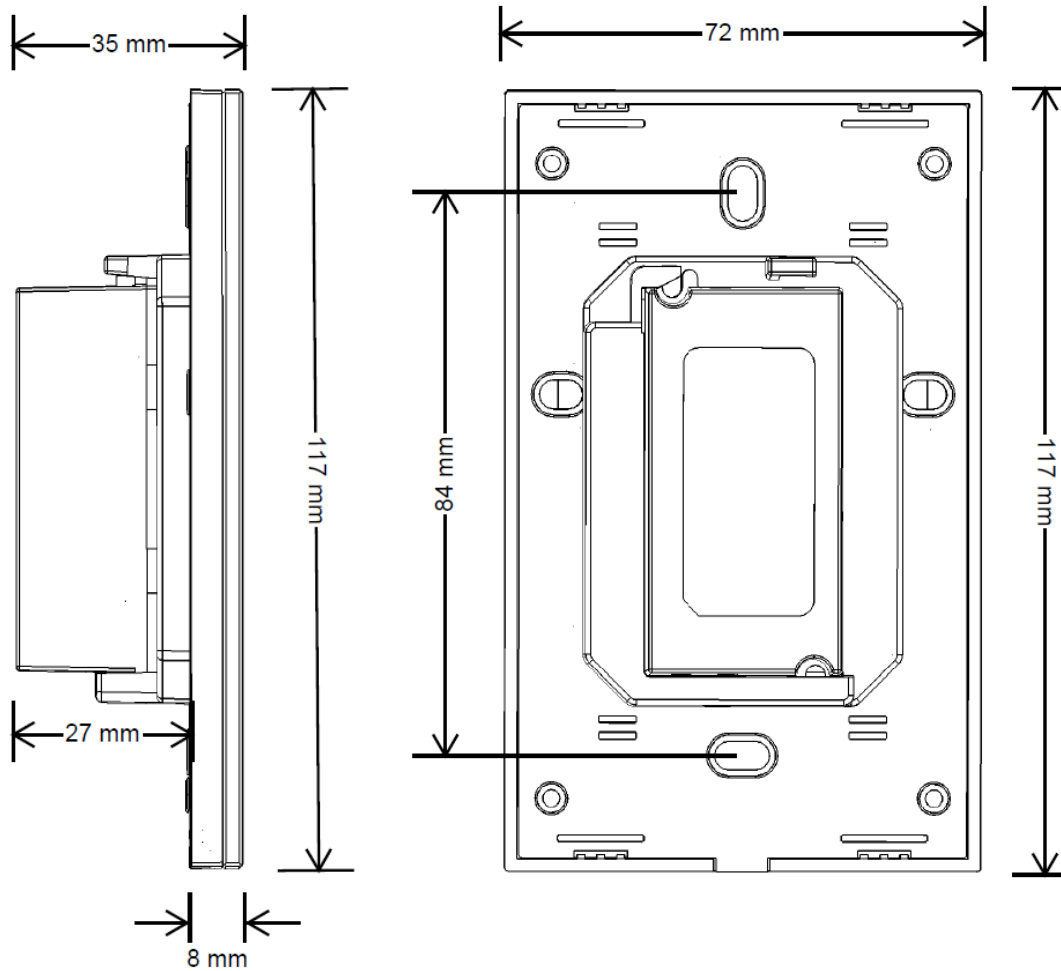
Visit [www.blu-ecosystem.com](http://www.blu-ecosystem.com) for more information.

**SIMPLE. AFFORDABLE. EFFECTIVE.**

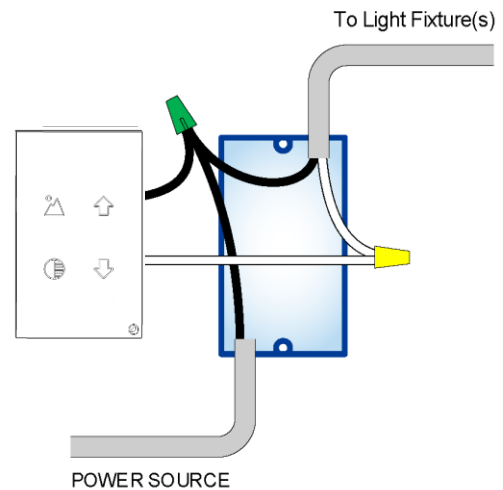
# NOMENCLATURE

FAMILY SERIES

SBWS-4B



Note that pwer is interrupted going to the Light Fixture(s) in the conventional toggle style wall switch.



For the SBWS-4B, power is paralleled to both switch and Light Fixture(s). This is because the SBWS-4B™ controls the Light(s) via wireless communication. Power must be continuous to both switch and Light(s).

SMART  
**BLU**  
CLOUD



J2 Light® Version 2300821

Contact your local supplier or representative or call J2 Light Inc. direct at:  
1.888.LOW.WATT (569.9288) [www.blu-ecosystem.com](http://www.blu-ecosystem.com)

SIMPLE. AFFORDABLE. EFFECTIVE

**BLU**Ecosystem™  
Wireless lighting control system.